



SOLID SIDES AND BASE, SMOOTH SURFACE

1 650 litres - Ref. 21626

three runners
Ext. dim.: L 1,200 X w 1,000 X h 765 mm
Ext. dim.: L 47.3 X w 39.4 X h 30.1"
Int. dim.: L 1,135 X w 935 X h 600 mm
Int. dim.: L 44.7 X w 36.8 X h 23.6"
loading: 650 Kg/1,400 lbs.
Wt: 46.40 Kg/102.3 lbs.
Colour: brown-red, white.



2 650 litres - Ref. 21624

nine feet
Ext. dim.: L 1,200 X w 1,000 X h 765 mm
Ext. dim.: L 47.3 X w 39.4 X h 30.1"
Int. dim.: L 1,135 X w 935 X h 600 mm
Int. dim.: L 44.7 X w 36.8 X h 23.6"
loading: 650 Kg/1,400 lbs.
Wt: 39.20 Kg/86.4 lbs.
Colour: brown-red, white.



JUMBOX 650 LITRES ON 4 CASTORS

6 650 litres - Ref. 21658

solid sides and base
four braked castors
Ext. dim.: L 1,200 X w 1,000 X h 835 mm
Ext. dim.: L 47.3 X w 39.4 X h 32.9"
Int. dim.: L 1,135 X w 935 X h 600 mm
Int. dim.: L 44.7 X w 36.8 X h 23.6"
loading: 300 Kg/660 lbs.
Wt: 47.80 Kg/105.4 lbs.
Colour: brown-red.

7 Ref. 61651

lid with cut out for stacking,
for 650 litre Jumboxes
Ext. dim.: L 1,223 X w 1,023 X h 100 mm
Ext. dim.: L 48.2 X w 40.3 X h 3.9"
Wt: 6.25 Kg/13.8 lbs.
Colour: brown-red, white.



SOLID SIDES AND BASE

3 650 litres - Ref. 21666

three runners
Ext. dim.: L 1,200 X w 1,000 X h 765 mm
Ext. dim.: L 47.3 X w 39.4 X h 30.1"
Int. dim.: L 1,135 X w 935 X h 600 mm
Int. dim.: L 44.7 X w 36.8 X h 23.6"
loading: 650 Kg/1,400 lbs.
Wt: 43.00 Kg/94.8 lbs.
Colour: brown-red.

650 litres - Ref. 21654

nine feet
Ext. dim.: L 1,200 X w 1,000 X h 765 mm
Ext. dim.: L 47.3 X w 39.4 X h 30.1"
Int. dim.: L 1,135 X w 935 X h 600 mm
Int. dim.: L 44.7 X w 36.8 X h 23.6"
loading: 650 Kg/1,400 lbs.
Wt: 42.70 Kg/94.2 lbs.
Colour: brown-red.



VENTILATED SIDES AND BASE

4 650 litres - Ref. 21667

three runners
dimensions as Jumbox ref. 21666
loading: 650 Kg/1,400 lbs.
Wt: 42.50 Kg/93.7 lbs.
Colour: brown-red.

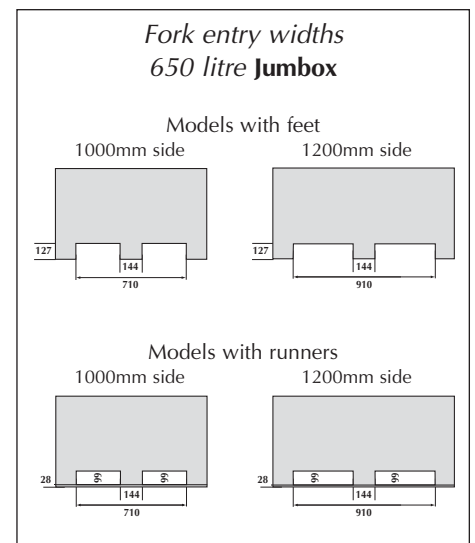


5 650 litres - Ref. 21655

nine feet
Ext. dim.: L 1,200 X w 1,000 X h 765 mm
Ext. dim.: L 47.3 X w 39.4 X h 30.1"
Int. dim.: L 1,135 X w 935 X h 600 mm
Int. dim.: L 44.7 X w 36.8 X h 23.6"
loading: 650 Kg/1,400 lbs.
Wt: 39.40 Kg/86.9 lbs.
Colour: brown-red.

650 litres - Ref. 21659

ventilated sides and base
four braked castors
dimensions as Jumbox ref. 21658
loading: 300 Kg/660 lbs.
Wt: 45.50 Kg/100.3 lbs.
Colour: brown-red.



Jumbox range 250 litres and accessories

72



1 250 litres - Ref. 21250

solid sides and base
 Ext. dim.: L 1,000 X w 600 X h 662 mm
 Ext. dim.: L 39.4 X w 23.6 X h 26.1"
 Int. dim.: L 934 X w 534 X h 502 mm
 Int. dim.: L 36.8 X w 21.0 X h 19.8"
 loading: 250 Kg/550 lbs.
 Wt: 18.60 Kg/41.0 lbs.
 Colour: brown-red, white.



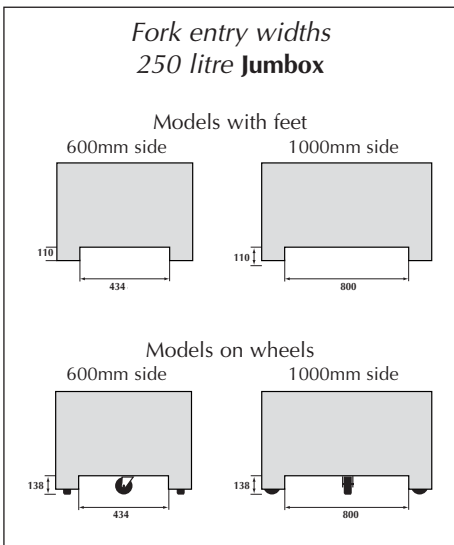
2 250 litres - Ref. 21258

solid sides and base on metal dolly
 Ext. dim.: L 1,006 X w 606 X h 860 mm
 Ext. dim.: L 39.6 X w 23.9 X h 33.9"
 Int. dim.: L 934 X w 534 X h 502 mm
 Int. dim.: L 36.8 X w 21.0 X h 19.8"
 loading: 200 Kg/440 lbs.
 two fixed, two swivel braked castors, diameter 160 mm/6"
 Wt: 25.00 Kg/55.1 lbs.
 Colour: brown-red, white.



4 250 litres - Ref. 21298

solid sides and base on castors
 Ext. dim.: L 1,000 X w 600 X h 690 mm
 Ext. dim.: L 39.4 X w 23.6 X h 27.2"
 Int. dim.: L 934 X w 534 X h 502 mm
 Int. dim.: L 36.8 X w 21.0 X h 19.8"
 loading: 200 Kg/440 lbs.
 two fixed, two swivel castors, diameter 125 mm/5"
 Wt: 20.40 Kg/45.0 lbs.
 Colour: brown-red, white.



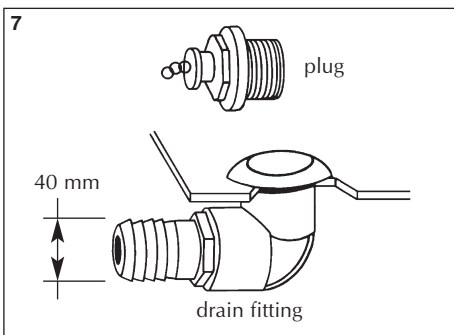
3 Ref. 64250

lid for Jumboxes ref. 21250 - 21258 and 21298 (does not allow for stacking)
 Ext. dim.: L 1,024 X w 615 X h 40 mm
 Ext. dim.: L 40.4 X w 24.2 X h 1.6"
 Wt: 2.48 Kg/5.5 lbs.
 Colour: brown-red, white.

5 Ref. 64251

lid for Jumboxes ref. 21250 - 21298 (allows stacking)
 Ext. dim.: L 1,024 X w 615 X h 40 mm
 Ext. dim.: L 40.4 X w 24.2 X h 1.6"
 Wt: 2.45 Kg/5.4 lbs.
 Colour: brown-red, white.

Bulk storage container accessories



7 Ref. 98017*

drainage plug for Jumbox & Geobox ranges.



8 Ref. 00053*

drainage plug for Jumbox & Geobox with solid sides and base (external view)
 Colour: grey

*These two accessories can be fitted to order.

Geobox range

543 litres

73



Agriculture: with ventilated sides and base, Geobox ensures the quality and freshness of harvested fruit (ref. 27401).

Light and strong

- Light and strong, the 543 and 373 litre Geoboxes stack up to ten high carrying a unit load of 450 kg per container - a total load of 4.5 tonnes.
- 260 litre models stack up to ten high carrying a unit load of 200 kg – a total load of 2.0 tonnes.
- Safe stacking, each model interlocks to form a secure and stable stack.
- Feet and runners are quick and easy to replace.
- Hygienic, impact resistant, maintenance free and impervious to most forms of chemical corrosion.



Agriculture: Harvesting and rapid distribution of large volumes (ref. 27603).



Geobox with runners: strong and durable for intensive use (ref. 27401).



Agriculture: stability of transported stacks (ref. 27601).



Recycling: large capacity for bulk waste (ref. 27600).



SOLID SIDES AND BASE

1 543 litres - Ref. 27600

two runners

Ext. dim.: L 1,200 X w 1,000 X h 750 mm

Ext. dim.: L 47.2 X w 39.4 X h 29.5"

Int. dim.: L 1,110 X w 910 X h 545 mm

Int. dim.: L 43.7 X w 35.8 X h 21.5"

Wt: 34 Kg/75 lbs.

Colour: **brown-red.**



2 543 litres - Ref. 27604

three runners

Ext. dim.: L 1,200 X w 1,000 X h 750 mm

Ext. dim.: L 47.2 X w 39.4 X h 29.5"

Int. dim.: L 1,110 X w 910 X h 545 mm

Int. dim.: L 43.7 X w 35.8 X h 21.5"

Wt: 36.8 Kg/81.0 lbs.

Colour: **brown-red.**

543 litres - Ref. 27602

six feet

Ext. dim.: L 1,200 X w 1,000 X h 750 mm


Ext. dim.: L 47.2 X w 39.4 X h 29.5"

Int. dim.: L 1,110 X w 910 X h 545 mm

Int. dim.: L 43.7 X w 35.8 X h 21.5"

Wt: 33 Kg/73 lbs.

Colour: **brown-red.**

 Strategic Product: We aim to always hold stock of strategic products in colours identified in bold.

Geobox range 543 & 373 litres

74



VENTILATED SIDES AND BASE

1 543 litres - Ref. 27601

two runners
 Ext. dim.: L 1,200 X w 1,000 X h 750 mm
 Ext. dim.: L 47.2 X w 39.4 X h 29.5"
 Int. dim.: L 1,110 X w 910 X h 545 mm
 Int. dim.: L 43.7 X w 35.8 X h 21.5"
 Wt: 33 Kg/73 lbs., Colour: **brown-red**.



2 543 litres - Ref. 27605

three runners
 Ext. dim.: L 1,200 X w 1,000 X h 750 mm
 Ext. dim.: L 47.2 X w 39.4 X h 29.5"
 Int. dim.: L 1,110 X w 910 X h 545 mm
 Int. dim.: L 43.7 X w 35.8 X h 21.5"
 Wt: 35.8 Kg/78.8 lbs., Colour: **brown-red**.

543 litres - Ref. 27603

six feet
 dimensions as Geobox ref. 27601
 Wt: 32 Kg/71 lbs., Colour: **brown-red**.



SOLID SIDES AND BASE

3 373 litres - Ref. 27400

two runners
 Ext. dim.: L 1,200 X w 1,000 X h 580 mm
 Ext. dim.: L 47.2 X w 39.4 X h 22.8"
 Int. dim.: L 1,110 X w 910 X h 375 mm
 Int. dim.: L 43.7 X w 35.8 X h 14.8"
 Wt: 29 Kg/64 lbs., Colour: brown-red

3 373 litres - Ref. 27404

three runners
 Ext. dim.: L 1,200 X w 1,000 X h 580 mm
 Ext. dim.: L 47.2 X w 39.4 X h 22.8"
 Int. dim.: L 1,110 X w 910 X h 375 mm
 Int. dim.: L 43.7 X w 35.8 X h 14.8"
 Wt: 31.8 Kg/70 lbs., Colour: brown-red

4 373 litres - Ref. 27402

six feet
 dimensions as Geobox ref. 27400
 Wt: 28 Kg/62 lbs., Colour: brown-red

5 Ref. 64401

Vacuum formed lid for 543 and 373 litres Geobox except refs. with 3 runners 27404, 27405, 27604, 27605.
 Ext. dim.: L 1,220 X w 1,017 X h 42 mm
 Ext. dim.: L 48.1 X w 40.1 X h 1.7"
 Wt: 4.8 Kg/10.6 lbs., Colour: black

VENTILATED SIDES AND BASE

6 373 litres - Ref. 27401

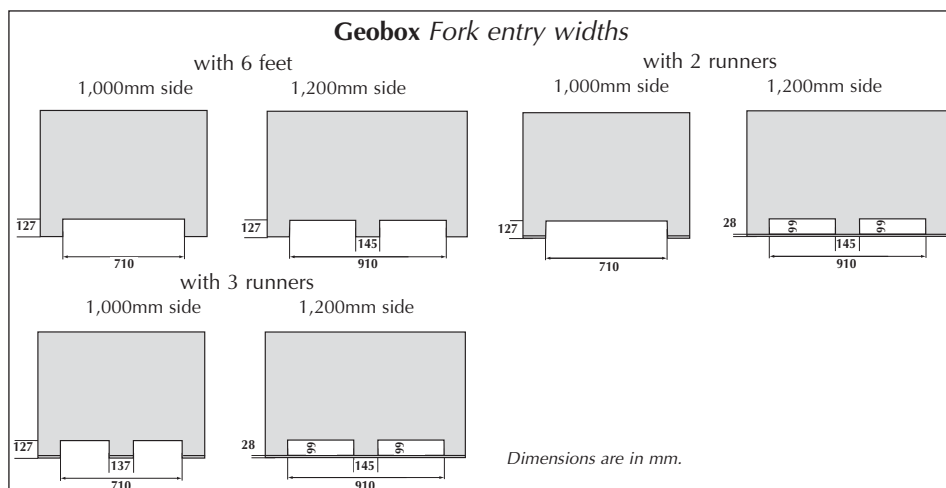
two runners
 Ext. dim.: L 1,200 X w 1,000 X h 580 mm
 Ext. dim.: L 47.2 X w 39.4 X h 22.8"
 Int. dim.: L 1,110 X w 910 X h 375 mm
 Int. dim.: L 43.7 X w 35.8 X h 14.8"
 Wt: 28 Kg/62 lbs., Colour: brown-red

373 litres - Ref. 27405

three runners
 Ext. dim.: L 1,200 X w 1,000 X h 580 mm
 Ext. dim.: L 47.2 X w 39.4 X h 22.8"
 Int. dim.: L 1,110 X w 910 X h 375 mm
 Int. dim.: L 43.7 X w 35.8 X h 14.8"
 Wt: 30.8 Kg/67.8 lbs., Colour: brown-red

373 litres - Ref. 27403

six feet
 dimensions as Geobox ref. 27401
 Wt: 27 Kg/60 lbs., Colour: brown-red



Geobox range 260 litres

550 litre bulk box

1200 x 800



1 260 litres - Ref. 27250

solid sides and base
two runners
Ext. dim.: L 1,000 X w 600 X h 662 mm
Ext. dim.: L 39.4 X w 23.6 X h 26.1"
Int. dim.: L 929 X w 544 X h 519 mm
Int. dim.: L 36.6 X w 21.4 X h 20.4"
Wt: 13.50 Kg/29.7 lbs., Colour: **brown-red**.



2 260 litres - Ref. 27251

minimum order item
ventilated sides and base
two runners
dimensions as Geobox ref. 27250
Wt: 12.70 Kg/27.9 lbs., Colour: brown-red.



6 550 litres - Ref. 28600

solid sides and base
two runners
Ext. dim.: L 1,200 X w 800 X h 850 mm
Ext. dim.: L 47.2 X w 31.5 X h 33.5"
Int. dim.: L 1,130 X w 725 X h 690 mm
Int. dim.: L 44.5 X w 28.5 X h 27.2"
Wt: 27.00 Kg/59.4 lbs., Colour: grey
Unit load: 400 kg/880 lbs

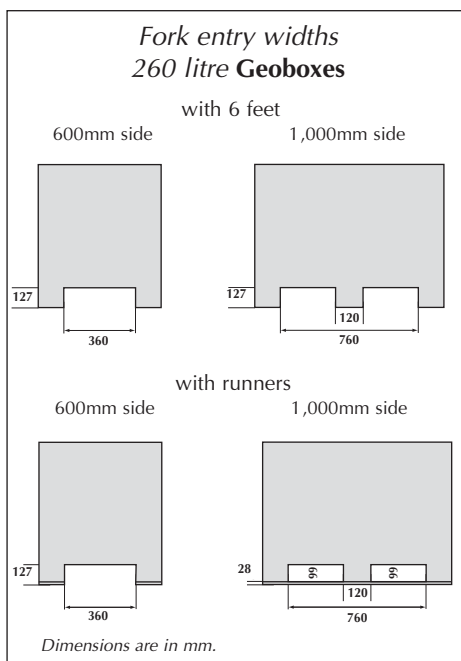


3 260 litres - Ref. 27270

solid sides and base
six feet
Ext. dim.: L 1,000 X w 600 X h 662 mm
Ext. dim.: L 39.4 X w 23.6 X h 26.1"
Int. dim.: L 929 X w 544 X h 519 mm
Int. dim.: L 36.6 X w 21.4 X h 20.4"
Wt: 12.70 Kg/28.0 lbs., Colour: brown-red.

260 litres - Ref. 27271

ventilated sides and base
six feet
dimensions as Gearbox ref. 27270
Wt: 11.90 Kg/26.2 lbs., Colour: brown-red



550 litres - Ref. 28601

ventilated sides and solid base with two runners
dimensions as ref. 28600
Wt: 26 Kg/57 lbs., colour grey

550 litres - Ref. 28602

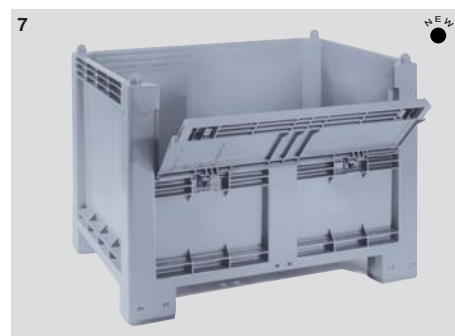
solid sides and base with four feet
dimensions as ref. 28600
Wt: 25 Kg/55 lbs., colour grey

550 litres - Ref. 28603

ventilated sides and solid base with four feet
dimensions as ref. 28600
Wt: 24 Kg/53 lbs., colour grey

550 litres - Ref. 28610

as ref. 28600 with drop-door on long side
door dim.: 1,000 x 340mm / 39.4 x 13.4"



7 550 litres - Ref. 28612

as ref. 28602 with drop-door on long side
door dim.: 1,000 x 340mm / 39.4 x 13.4"

550 litres - Ref. 28672

as ref. 28600 with four 125mm Ø wheeled castors
height: 990mm / 39.0"
Wt: 30 Kg/66 lbs.
Unit load: 150 Kg/330 lbs.

Ref. 64600

Lid for 550 litre bulk boxes
(does not fit ref. 28672)